



MG GS



SAY HELLO TO THE MG GS

Meet the MG GS, the all-new SUV from our iconic British brand.

This striking model marks the future of MG and a new generation of design and engineering excellence emerging from our Birmingham based technical centre. The MG GS, with its dynamic and sporty looks, is inspired by the diversity of a modern family. It is an SUV that stands up to the challenges of every aspect of your weekly routine.

Whether it's a weekend family adventure, a daily commute to work, or a trip to the shops, the MG GS can handle it.

Family fun and affordability don't often go hand-in-hand, but with the MG GS that's exactly what you get.

The MG GS also comes with a **5 year** manufacturer 80,000 mile warranty giving you peace of mind.



AN **ADVENTURE** AT EVERY TURN

Striking looks, an elevated driving position and total comfort on the road... what more could you ask for?

The MG GS will make every journey an adventure, injecting real fun into driving. Like the other MG models in our range, this car can handle the road and will exceed all expectations with its outstanding performance and sleek design.





THE **INSIDE** TRACK

Packed with superb features for all the family, the MG GS will keep everyone happy and entertained wherever your adventures take you.

With space for five, there's an abundance of room for everything the whole family needs.

MG GS EXPLORE

Explore our affordable range built to tackle everyday adventures.

The MG GS Explore will let you discover some of the finer things in life without the need to compromise. Cruise control, automatic headlamps, air-con and an intelligent stop-start engine are just some of the great features.



SPECIFICATION

- 17" alloy wheels
- LED daytime running lights (DRL)
- Fabric sports seats
- Radio with MP3 compatibility and AUX/USB input
- Air conditioning
- Automatic headlamps
- Cruise control
- Electrically adjustable wing mirrors
- Intelligent stop-start engine
- Hill hold



MG GS EXCITE

There's nothing middle of the road about our middle of the range model.

In addition to the features on the 'Explore'. You'll get upgraded to a DAB radio, Bluetooth™ connectivity and rear parking sensors. All of this equips you to handle life's daily challenges.



SPECIFICATION

- 17" alloy wheels
- LED daytime running lights (DRL)
- Fabric sports seats
- Leather steering wheel with audio controls
- DAB radio
- MP3 and iPod compatibility and AUX/USB input
- Bluetooth™ telephone integration and audio streaming
- Auto air conditioning
- Automatic headlamps
- Cruise control
- Rear parking sensors and camera
- Electrically adjustable wing mirrors
- Intelligent stop-start engine
- Hill hold



MG GS EXCLUSIVE

Our top of the range makes Exclusive affordable.

It's not just the looks that will make you the envy of your friends, the specification will too. The 18" alloy wheels, luxury leather interior, and a choice of 6 speed manual or 7 speed DCT gearbox are just some of the features that put this model at the top of its game.



*Black windscreen surrounds graphics optional extra

SPECIFICATION

- 18" alloy wheels
- LED daytime running lights (DRL)
- Front fog lamps
- Leather sport seats. Driver's with lumbar support
- Electrically adjusted heated front seats
- Leather steering wheel with audio controls (plus paddle shift on DCT gearbox)
- iGO navigation
- DAB radio
- MP3 and iPod compatibility and AUX/USB input
- Bluetooth™ telephone integration and audio streaming
- Auto air conditioning
- Automatic headlamps
- Cruise control
- Rear parking sensors and camera
- Electrically adjustable heated wing mirrors
- Intelligent stop-start engine
- Hill hold
- Roof bars
- Side step



STYLE FROM THE OUTSIDE...

Our team of global designers have worked hard to create a colour palette to match your lifestyle and adventurous spirit.



Arctic White



Jet Black



Aspen Silver



Sunset Orange



Mocha Brown



Sahara Gold

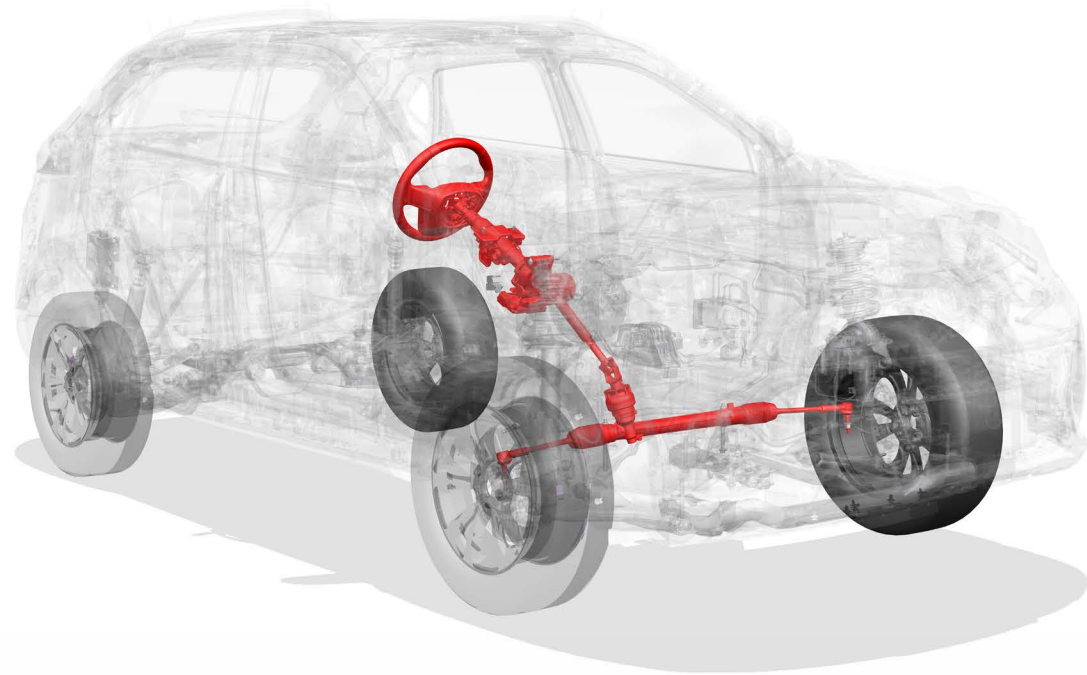


*Black windscreen surrounds and metallic paint as optional extras

	Arctic White (solid)	Jet Black (solid)	Aspen Silver (metallic)	Sunset Orange (metallic)	Mocha Brown (metallic)	Sahara Gold (metallic)
Explore	•	•	-	-	-	-
Excite	•	•	◦	◦	◦	◦
Exclusive	•	•	◦	◦	◦	◦
Leather (Exclusive only)	Black	Cream	Black	Black	Cream	Black

• Solid ◦ Metallic (additional cost) - Not available

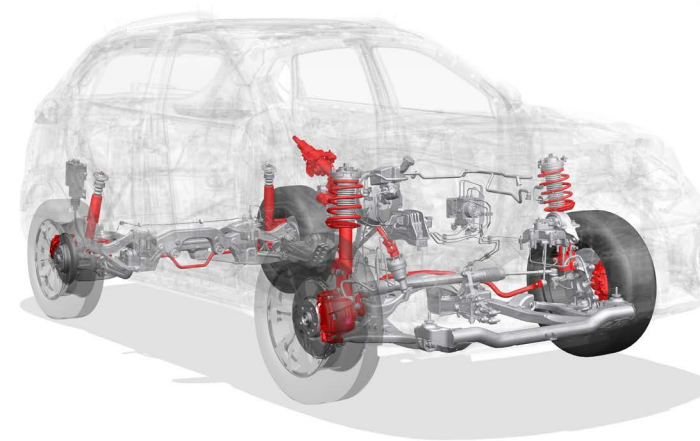
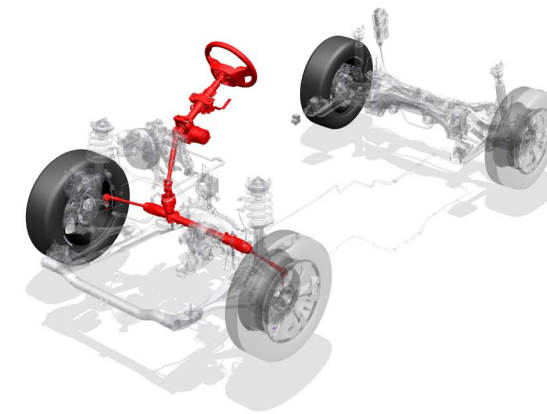
DESIGN FROM THE **INSIDE**...



Everything about the MG GS has been developed to make it drive and handle like an MG should.

The chassis and sporting damper control have been tuned to deliver agility and confidence for the driver.

The MG GS knows how to handle itself. Even faced with the most challenging conditions the driver feels connected to the road. Particular attention has been paid to the steering, ensuring the MG GS is always responsive and engaging.







TAKE A LOOK **INSIDE**

Sitting comfortably?

Sport seats in the front and adjustable seats in the back that recline and fold completely flat, the MG GS brings you functionality and comfort. Style certainly hasn't been forgotten; choose Explore or Excite with Sporty fabric seats or Exclusive with luxury leather available in cream or black.



Cream leather seats



Black leather seats



Fabric seats

PERFECT FIT
FOR **YOUR**
LIFE AND AN
AMPLE BOOT
FOR ALL YOUR
REQUIREMENTS.

With space for five, generous head and legroom, the MG GS will comfortably accommodate everything you need for you and your family.



TECHNICAL SPECIFICATION

		Explore	Excite	Exclusive	Exclusive DCT
ENGINE AND CHASSIS					
Type		1.5 TGI	1.5 TGI	1.5 TGI	1.5 TGI
Aspiration		Turbo charged	Turbo charged	Turbo charged	Turbo charged
Delivery		Gasoline direct injection	Gasoline direct injection	Gasoline direct injection	Gasoline direct injection
Fuel		UNLEADED 95 RON	UNLEADED 95 RON	UNLEADED 95 RON	UNLEADED 95 RON
Stop-Start functionality		✓	✓	✓	✓
Cylinders		4	4	4	4
Valves		16	16	16	16
Camshaft drive		Chain	Chain	Chain	Chain
Displacement	mm	1490	1490	1490	1490
Bore		74	74	74	74
Stroke		86.6	86.6	86.6	86.6
Compression ratio		10.3 : 1	10.3 : 1	10.3 : 1	10.3 : 1
Maximum power	PS @ rpm	166PS 5600	166PS 5600	166PS 5600	166PS 5600
Maximum torque	NM @ rpm	250 1600-4300	250 1600-4300	250 1600-4300	250 1600-4300
Front suspension		Macpherson struts	Macpherson struts	Macpherson struts	Macpherson struts
Rear suspension		Multi-link	Multi-link	Multi-link	Multi-link
Steering system		EPAS	EPAS	EPAS	EPAS
Throttle		Drive by wire	Drive by wire	Drive by wire	Drive by wire

	Explore	Excite	Exclusive	Exclusive DCT
TRANSMISSION				
Speed/type	6-speed	Manual	6-speed	Manual
1st	4.385		4.385	4.231
2nd	2.348		2.348	2.476
3rd	1.351		1.351	1.389
4th	1.049		1.049	0.929
5th	0.946		0.946	0.755
6th	0.756		0.756	0.714
7th				0.566
Reverse	3.720		3.720	3.882
Final drive	1,2,5,6 = 3.632 3,4, R = 4.059		1,2,5,6 = 3.632 3,4, R = 4.059	1,2,5,6 = 4.563 3,4, R = 5.214

PERFORMANCE, INSURANCE AND FUEL CONSUMPTION										
Acceleration	0-60mph	secs	9.6*						9.6	
	0-100kph		9.9*						9.9	
	50mph-70mph (4th)		7.8	7.8	7.8	7.8	7.3			
	50mph-70mph (5th)		9.8	9.8	9.8	9.8	8.9			
Max speed	mph	118	118	118	118	112				
Insurance group		16E	16E	17E	17E					
Emission standard		EU6 B	EU6 B	EU6 B	EU6 B					
Urban	mpg (1/100km)	37.6	7.5	37.6	7.5	37.6	7.5	36.6	7.7	
Extra urban		53.2	5.3	53.2	5.3	53.2	5.3	53.2	5.3	
Combined		46.3	6.1	46.3	6.1	46.3	6.1	45.5	6.2	
CO ₂	g/100km	139	139	139	139	141				

* May vary according to vehicle specification

		Explore	Excite	Exclusive	Exclusive DCT
DIMENSIONS (EXTERIOR)					
Overall length	mm	4500	4500	4500	4500
Width		1855	1855	1855	1855
Overall width inc. mirror		2081	2081	2081	2081
Height		1665	1665	1665	1665
Height inc. rails		1689	1689	1689	1689
Height inc. shark fin		1705	1705	1705	1705
Height inc. aerial		1774	1774	1774	1774
Wheelbase		2650	2650	2650	2650
Front track		1574	1574	1574	1574
Rear track		1593	1593	1593	1593
Turning circle	m	11.8	11.8	11.8	11.8



Overall width including mirrors - 2081mm
Turning circle - 11.8m



Front track - 1574mm
Rear track - 1593mm



Overall length - 4500mm
Height - 1665mm
Wheel base - 2650mm

		Explore	Excite	Exclusive	Exclusive DCT
DIMENSIONS (INTERIOR)					
Front	Legroom (max)	1036	1036	1036	1036
	Headroom (max)	997/957	997/957	997/957	997/957
	Shoulder room (max)	1430	1430	1430	1430
	Elbow room (max)	1478	1478	1478	1478
Rear	Legroom (max)	943	943	943	943
	Headroom (max)	968	968	968	968
	Shoulder room (max)	1382	1382	1382	1382
	Elbow room (max)	1482	1482	1482	1482

		Explore	Excite	Exclusive	Exclusive DCT
WEIGHTS AND CAPACITIES					
Boot capacity, seats up (VDA)	litres	483	483	483	483
Boot capacity, seats down, load to roof (VDA)		1336	1336	1336	1336
Kerb weight	kg	1385	1395	1420	1467
Max permissible weight		1967	1967	1967	2014
Max towing weight (braked)		1750	1750	1750	1750
Max towing weight (unbraked)		692	697	710	733
Max nose weight		75	75	75	75
Max weight of the vehicle + trailer		3717	3717	3717	3764
Seating capacity	max	5	5	5	5
Fuel tank capacity, approx max	litres/gallons	55/12			

SPECIFICATION AND OPTIONS

	Explore	Excite	Exclusive	Exclusive DCT
Safety and Security				
ABS+EBD	•	•	•	•
Electric Parking Brake (EPB)	•	•	•	•
Seat belt height adjust	•	•	•	•
Rear ISOFIX (X2)	•	•	•	•
Take me home function	•	•	•	•
Side air curtain	•	•	•	•
ARP (Anti Rolling Program)	•	•	•	•
TPMS	•	•	•	•
Front side airbags	•	•	•	•
CBC	•	•	•	•
ESP	•	•	•	•
EBA	•	•	•	•
Driver's seat belt reminder	•	•	•	•
Front dual airbags	•	•	•	•
Automatic Door Latch Function	•	•	•	•
Passenger's seat belt reminder	•	•	•	•
Front seatbelt (3 point + pretensioner and Load limiter)	•	•	•	•

	Explore	Excite	Exclusive	Exclusive DCT
Vehicle Exterior				
Xeon Headlamp			•	•
LED DRL	•	•	•	•
Bulb Tail Lamp	•			
LED Tail Lamp		•	•	•
Manual fold rear view mirror	•	•		
Power fold rear view mirror			•	•
Headlamp auto lighting	•	•	•	•
Rear parking radar		•	•	•
Electrical heating (defogging) door mirror			•	•
Front fog lamp			•	•
Halogen Headlight (projection type)	•	•		
Power adjustable door mirror with steering light	•	•	•	•
Front and rear boneless wiper	•	•	•	•

• Standard equipment ○ Optional at extra cost

	Explore	Excite	Exclusive	Exclusive DCT
Wheels and Tyres				
17" Alloy Wheel	•	•		
18" Alloy Wheel			•	•
215/60R17 tyre type 01	•	•		
215/60R17 tyre type 02		•		
215/60R17 tyre type 03		•		
235/50R18 tyre			•	•

	Explore	Excite	Exclusive	Exclusive DCT
Instrumentation				
Clear Glass	•			
Green Tinted Glass		•	•	•
Rain Sensor			•	•
Speed warning selectable, audible	•	•	•	•
SUPERLOCK	•	•	•	•
IGO in-car			•	•
Mirror Link		•	•	•

	Explore	Excite	Exclusive	Exclusive DCT
Seating				
Fabric sporty seat	•	•		
Leather sporty seat			•	•
Driver's seat lumbar support			•	•
Heated front seats			•	•
Driver's 6-way manual adjustable seat	•	•		
Driver's 6-way power adjustable seat			•	•
Passenger's 4-way manual adjustable seat	•	•		
Passenger's 6-way power adjustable seat			•	•
2nd row proportional foldable seat	•	•	•	•
Incline adjustable rear seats	•	•	•	•

	Explore	Excite	Exclusive	Exclusive DCT
Comfort and Convenience				
AC system	Heater + A/C	Heater + Auto A/C	Heater + Auto A/C	Heater + Auto A/C
Heater + A/C	•			
Heater + Auto A/C		•	•	•
Cold storage box		•	•	•
Rear foot wind tunnel		•	•	•
Auto-dimming Inner RearView Mirror			•	•
Mechanical key	•2			
Remote key		•1	•	•
Lazy locking			•	•
Trunk 12V power			•	•
Cigar lighter	•	•	•	•
Cruise control	•	•	•	•
Glove box lighting		•	•	•
Remote trunk cover open	•	•	•	•
Driver's side Electric Windows (one-shot up with anti-trap)	•	•	•	•

	Explore	Excite	Exclusive	Exclusive DCT
In-Car Entertainment				
Audio system		MP3+IPOD	MP3+IPOD	MP3+IPOD
Radio+AUX/USB, MP3+4	•			
MP3+IPOD		•	•	•
DAB audio		•	•	•
Radio Data System (RDS)		•	•	•
USB (with charging function)	1	1	1	1
Rear Camera		•	•	•
USB mobile phone charging function	•	•	•	•
Bluetooth™ connection		•	•	•
Trip Computer	•	•	•	•

YOUR **ADVENTURE** IS ONLY JUST BEGINNING

Personalise your MG GS with our great range of accessories.

From roof boxes and bike racks to floor mats and boot liners, our extensive range of accessories can equip your MG GS to handle all of your family adventures.

Visit your local dealer for our full accessory brochure.



- 1. Rubber front floor mat
- 2. Front floor mat
- 3. Rubber rear floor mat
- 4. Rear floor mat
- 5. Side access step
- 6/7. Roofbars
- 8. Rubber boot liner
- 9. Side vent styling grills



CAREFREE DRIVING WITH THE MG GS

The MG GS comes with a full **5 year**, 80,000 miles manufacturer warranty, 12 month roadside assistance and the option to purchase a hassle free cost effective service plan.

Visit your local Dealer or MG.CO.UK for more information.



DISCOVER THE REST OF THE FAMILY

The MG GS is the newest addition to the ever-growing MG family.

We have the MG3 supermini. Sporty, nimble and super-fun, the MG3 is everything you could want from a modern city car. A starting price of just £8,399 and ultra-low insurance group 4E make the MG3 the obvious and affordable choice.

'Go Large' with the MG6. Fantastic for all the family as well as for that daily commute, the MG6 will keep you enthralled. Starting from just £13,995, the MG6 will help keep a smile on your face and pounds in your pocket.



BE A PART OF THE FUTURE

Now you know all about the MG GS it's your turn to drive it.

Book your test drive through your local Dealer or online at **MG.CO.UK**

Facebook.com/MGMotor 

Twitter.com/MGMotor 

YouTube.com/MG 





MG.CO.UK

5 year or 80,000 mile (whichever occurs first) manufacturer warranty on all MG GS models. Every effort has been made to ensure that the contents of this publication were accurate and up to date at the time of being published (June 2016). Please note colours and accessories are for illustrative purposes only. Colours and finishes replicated are subject to limitations of the printing process and may vary from actual colour and paint finish. MG Motor UK endorses a policy of continuous improvement and reserves the right to make changes at any time without notice to colours, accessories, material, design, shape specification and models. Items may be discontinued at any time. Actual UK specification may vary from vehicles shown. For latest information, please speak to your approved MG dealer.

MG Motor UK, Lowhill Lane, Birmingham, West Midlands B31 2BQ | Published June 2016